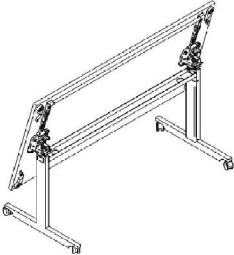
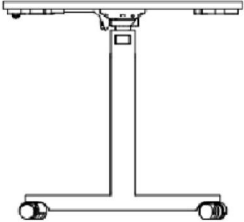


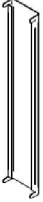


FLIPPER

folding table

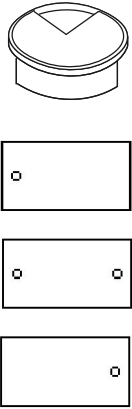


Products

FOLDING TABLES	
Folding tables	 
Dimensions: [W x D x H]	Ref. No.
1390 x 695 x 735	FLI-SW-003
1600 x 800 x 735	FLI-SW-002

Accessories

VERTICAL CABLE CHANNEL			WORKTOP CONNECTOR		NETBOX POINT	
	[W x D x H]	Ref. No.		Ref. No.		Ref. No.
	83 x 30 x 470	AKC-OK-470		AKC-IN-140		AKC-PK-080



Options

CABLE PASS			POWER MODULE		
	Diameter: [Ø]	Option code		Diameter: [Ø]	Option code
	Ø 80	K1 K2 K3	 <p>USB / DE / RJ</p>	Ø 80	M10 M30
ALUMINIUM FRAME WITH CABLE PASS					
	Dimensions: [W x D]		Option code		
	256 x 100		F70		

Available colours

								
AAK	ABM	ACJ	ADH	AJA	ANN	ASM	APS	ABB

FRAME

	
JMJ	JBS